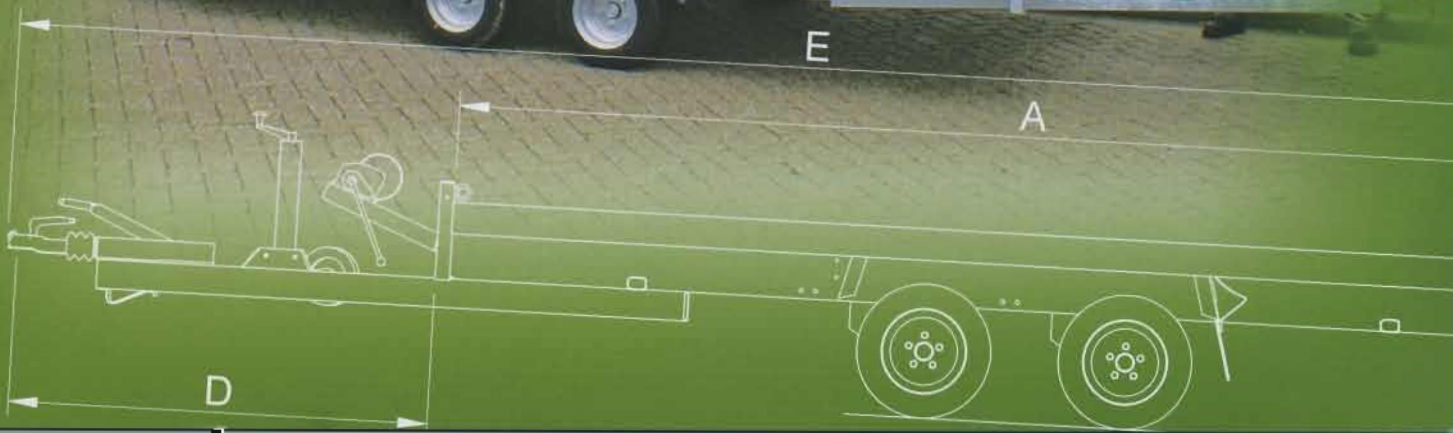


# Anssems

Trailers

## MSX



# MSX - the multipurpose trailer

Quality is the trademark of Ansems Trailers. Thanks to our years of experience and listening to our trailer customers we know better than anyone else what their requirements are. Our multipurpose trailers meet all of these requirements, with stability and safety, multi-use and user-friendliness all being high priority. Our multipurpose trailers have been developed with the aid of advanced technology and they have been extensively tested on a test circuit and a roller track test bed. So we know they are completely safe on the road.

## Stability

The multipurpose trailer is built around a fully welded steel chassis. The V-shaped drawbar is strongly welded to the chassis to create an exceptionally stable frame. The four longitudinal sections of the chassis provide optimal support along the full length of the loading floor, and the aluminium floor of the trailer is designed to provide support across the whole width. This creates an extremely strong base that can be used to transport all types of vehicles and machinery. The chassis is not the only thing that is exceptionally stable – we also mount high quality axles and overrun brakes.

## Safety

At Ansems Trailers we feel very strongly about safety. We want you to be completely safe when you take the trailer out on the road. When we talk about safety we do not mean just the solid construction of the trailer, we are also concerned about your visibility to other road users. The lights, which have been fitted in compliance with EC requirements, have been enhanced with many additional side marker lights. In short, we make sure that you are seen!



Retractable jockey wheel



Lighting

## Multi- Use

Our multipurpose trailer lives up to its name. The trailer is designed to transport virtually any vehicle weighing up to 2380 kg including cars, plant equipment and machines. For complete multi-use the trailer can be fitted with extension sides. These easily detachable extension sides consist of a heavy duty aluminium section 36 cm high, so enabling absolutely anything to be loaded on the trailer.



MSX 3000



MSX 3000 with extension sides (optional)



*Ramps and rampstorage*



*Winch*

### **User-friendliness**

Our multipurpose trailer is equipped with two steel ramps with a length of 250 cm, which can be stored in the integrated ramp holders beneath the aluminium floor: so you always have the ramps to hand. These ramps can be used to load vehicles that weigh up to 2500 kg.

The multipurpose trailer is also fitted with a winch. The winch can be moved to both sides of the trailer, so it makes no difference on which side the vehicle towing eye is.

The aluminium floor has an antislip surface, which prevents the load from moving and provides sufficient traction when a vehicle is being driven onto the trailer. There are wheel stops which can be used to prevent a loaded vehicle from slipping while the trailer is in transit. The wheel stops are the width of the loading surface of the trailer so they will secure absolutely any vehicle. The tie eyes on the corners of the trailer can be used to make the load even more secure and when the extension sides are in use, the tie hooks in the corner supports serve the same purpose. In short, we have thought of everything so you will enjoy using this highly user-friendly multipurpose trailer time and time again.



*Tie eye*



*Tie hook (Extension sides)*



*Spare wheel and holder (optional)*

MSX 3000  
405 x 200

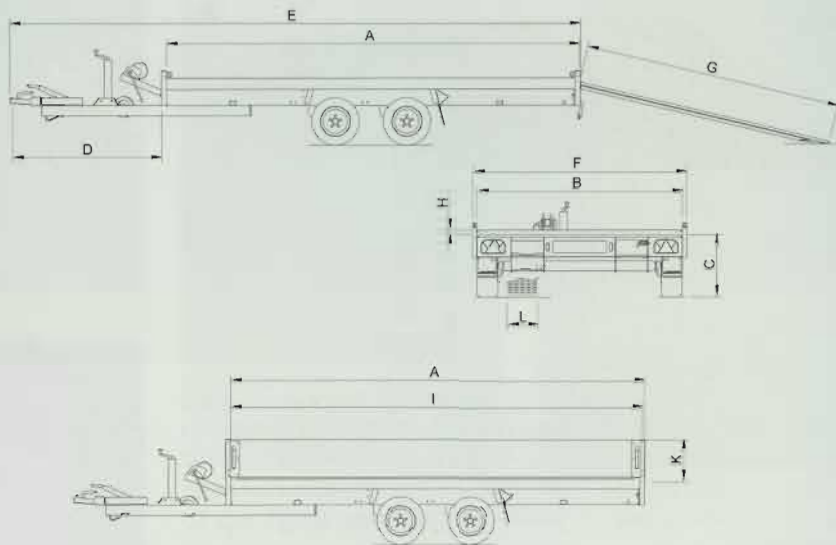
**Dimensions/weights**

Maximum gross weight	3000/1500
Unladen weight	536
Payload	2464/964
Internal platform length (A)	405
Internal platform width (B)	200
Loading height (C)	58
Pole length (D)	145
Overall length (E)	558
Overall width (F)	208
Length ramps (G)	250
Railing height (H)	4
Width ramps (L)	30
Tyre size	195/55R10

**Accessory**

Extension sides	*
Internal platform height (K)	40
Internal platform length (I)	402
Internal platform width (B)	200
Wheel stop	*
Axle shock absorber	*
Spare tyre and holder	*

\* Accessory is deliverable at the mentioned trailer.  
Dimensions mentioned in cm, weights in kg.



Axle shock absorber (optional)



Wheel stop (optional)



**Your Anssems dealer:**

Mex byggingavörur ehf.  
Lynghóls 3 Árbæjarhverfi  
Sími 567 1300 & 848 3215  
[www.byggingavorur.com](http://www.byggingavorur.com)